

A46JRTE

ELECTRIC ARTICULATED BOOM LIFT



- Zero emission electric rough terrain articulated boom lift with lithium-ion batteries
- Powerful 4-wheel drive for rough terrain
- Highly manoeuvrable with tight turning radius
- Superb working envelope with zero tailswing
- Robust, reliable and easy to operate



snorkel[™]

www.snorkellifts.com

ELECTRIC ARTICULATED BOOM LIFT

A46JRTE

DIMENSIONS A46JRTE

Max. working height	16.3m
Max. platform height	14.3m
Max. working outreach	7.35m
Clearance height at max. outreach	7.67m
Platform size	1.0m x 1.83m
Chassis width (A)	2.1m
Overall length (B)	5.7m
Stowed height (C)	2.16m
Ground clearance	330mm

PERFORMANCE

Platform capacity (SWL)	227kg
Max. drive height	14.3m
Max. wind speed	12.5m/s
Max. drive speed (stowed)	6.4km/h
Max. drive speed (elevated)	1.3km/h
Jib length	1.5m
Jib arc	140°
Platform rotation	160°
Turret rotation (non-continuous)	360°
Tailswing	0m
Raise/lower time	101/98 sec
Gradeability	45%
Inside turning radius	0.8m
Outside turning radius	3.17m
Tires	High grip, foam-filled 355/55D625NHS 17.5
Controls	proportional
Drive system	4-wheel drive

POWER

Power source	17.25kWh Li-ion batteries with integrated BMS
Operating temperature	(-) 25°C to (+) 60°C
Charger	high frequency smart on-board 50A battery charger

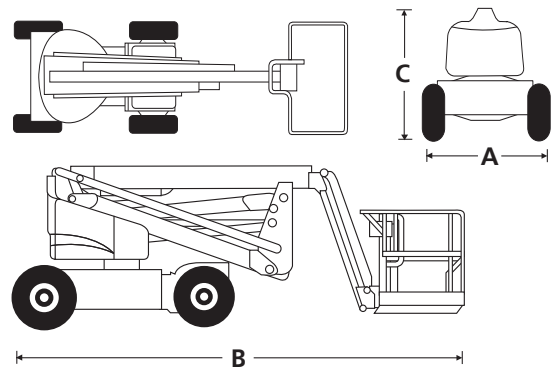
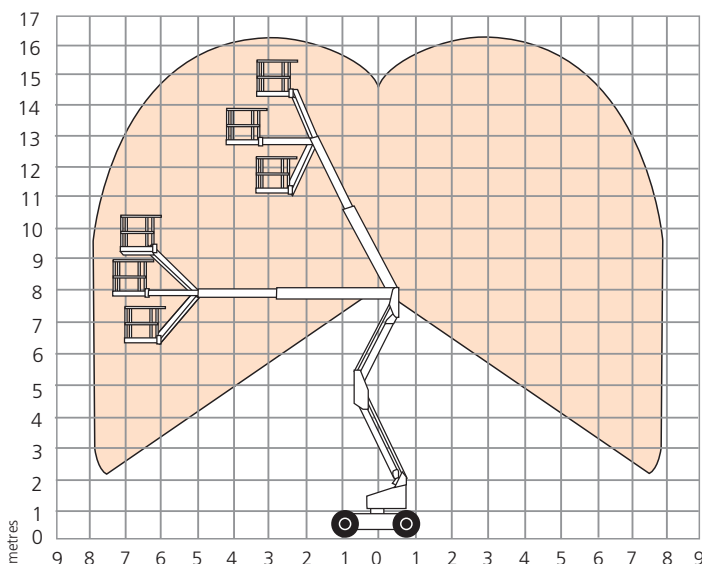
MOTOR

Motor	AC electric motor
-------	-------------------

WEIGHT

Weight	7,540 kg
--------	----------

WORKING ENVELOPE



STANDARD FEATURES

- Three lithium-ion battery systems 17.25kWh
- Snorkel Guard™ secondary guarding system
- Multi-function proportional controls
- Oscillating front axle
- Zero tailswing
- Tri-entry platform
- Drive motion alarm
- Power line to platform
- Non-marking foam filled tires
- Hour meter & on-board diagnostics display
- Tilt alarm
- Horn
- Flashing amber light
- Platform overload system
- 2000 charging cycles/2 year** lithium battery warranty
- 2 year parts & labor, 5 year structural warranty
- ANSI approved

OPTIONS

- Special paint colors
- AC generator 110V/2.5kW
- Airline to platform
- Environmental hydraulic oil
- Additional 5.75kWh battery system
- 1.52m aluminum platform with swing gate
- Aircraft package
- Deluxe aircraft package
- Utility package
- Snorkel OnSite™ telematics
- Extreme environment package
- Light package
- Glazier package
- Pneumatic tires
- Pipe rack
- Personal fall arrest system
- Tool tray
- Snorkel OnSite™ telematics



www.snorkellifts.com

P.O. Box 1160
St. Joseph, MO 64502-1160, USA
Tel: 1 (785) 989-3000
Toll-free: 1 (800) 255-0317
Fax: 1 (785) 989-3070

Email: sales.usa@snorkellifts.com

ANSI Specification
© Snorkel 2021

Specifications subject to change without notice. Photos and diagrams in this brochure are for promotional purposes only. Refer to appropriate Snorkel operators manual for detailed instructions on the proper use and maintenance.
* Preliminary specifications - confirm at time of ordering
** Whichever comes first. Refer to Snorkel warranty policy for full details, limitations and restrictions.
Batteries at the end of their life to be returned to Snorkel for recycling.