

# SR626E

## ELECTRIC COMPACT ROUGH TERRAIN TELEHANDLER



- Zero emission electric compact rough terrain telehandler with lithium-ion batteries
- Full-time 4 wheel drive
- Fully enclosed cab
- Power assisted steering
- Proportional joystick
- Simple to operate & maintain



**snorkel**<sup>™</sup>  
[www.snorkellifts.com](http://www.snorkellifts.com)

# ELECTRIC COMPACT ROUGH TERRAIN TELEHANDLER

# SR626E

## CAPABILITIES SR5719\*

Max. lift capacity	2,600kg
Max. lift height (A)	5.79m
Max. forward reach	3.1m

## DIMENSIONS

Overall width (B)	1.89m
Stowed height (C)	1.93m
Length to fork face (D)**	4.19m
Wheelbase	2.5m
Ground clearance	220mm

## PERFORMANCE

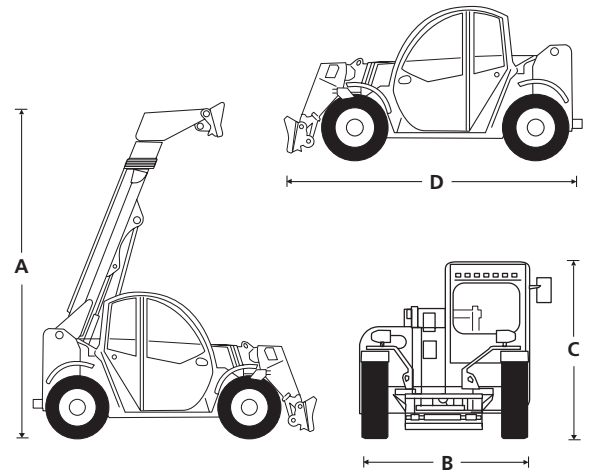
Max. drive speed	12km/h
Raise/lower time	6.9/5 sec
Hydraulic flow (per minute)	80L
Hydraulic pressure	230bar
Hydraulic oil capacity	70L
Outside turning radius	3.25m
Tyres	12 x 16.5

## POWER

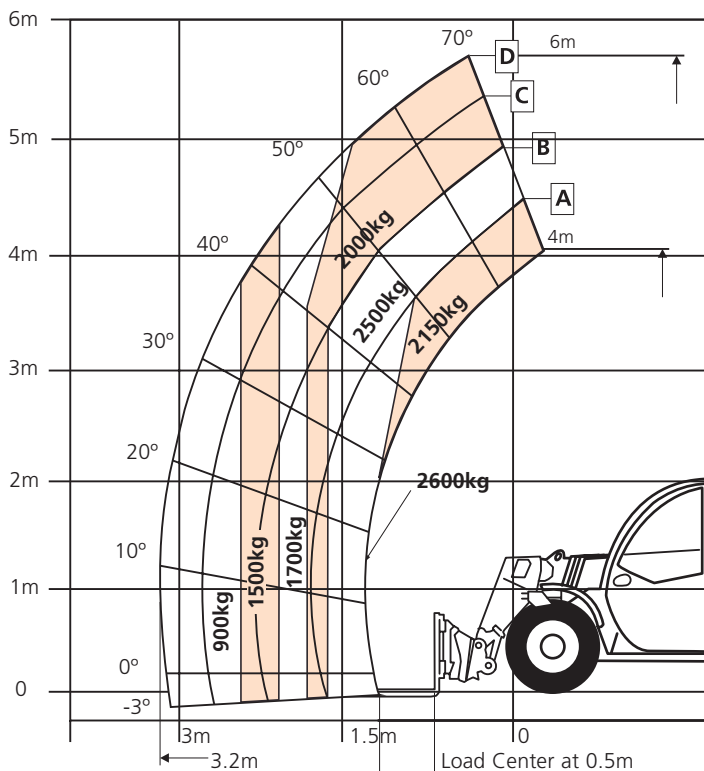
Power source	Lithium-ion 80V 32kWh batteries
Operating temperature	(-)20°C to (+)45°C
Charger	on-board, single phase

## WEIGHT

Weight	4,800kg
--------	---------



## LOAD CHART



## STANDARD FEATURES

- Lithium-ion batteries
- Full time 4 wheel drive
- 4 wheel steer
- Selectable front, crab & coordinated steering modes
- Auxiliary hydraulic circuit on the boom
- Variable speed hydrostatic drive
- Fully enclosed cab
- Proportional joystick
- Adjustable steering column
- Illuminated gauge and switch panels
- Color LCD display with machine & engine diagnostics
- Adjustable suspension seat
- Flashing beacon
- Fixed 1.2m carriage
- 1.2m pallet forks
- 2000 charging cycles/2 year \*\*\* lithium battery warranty
- 2 year parts & labour, 5 year structural warranty
- CE approved

## OPTIONS

- Special paint colours
- Multiple options for carriages, tyres and fork tines
- LED front and rear work lights (4)
- LED work lights on boom (2)
- External three-phase fast charger

**snorkel**

**SCHULER & SCHULER AG**  
 HEBE- UND TRANSPORTECHNIK  
 CH-6405 Immensee (SZ) contact@schuler-schuler.ch  
 Telefon +41 41 854 7000 Telefax +41 41 854 7001  
 www.schuler-schuler.ch